

SP-2W-EU

Smart Plug



SP-2W-EU is an advanced smart metering plug, specially designed for various household scenarios, which features in bidirectional measurement and remote control. It can send the real-time data to local or remote platform via WiFi. Users can remotely control the plug to switch connected appliances on or off and monitor the consumption data through the smartphone or computer. With the ability to adjust appliance settings as needed, SP-2W-EU enhances the convenience and efficiency of home energy management significantly.

I Applicable Scenarios

Applicable to high load-bearing capacity household appliance and no communication microinverters in EU.

- Linkage control for energy storage devices, real-time monitoring for power generation
- Accurate consumption measurement for high load-bearing capacity household appliance
- Power&electricity analysis, reducing energy consumption
- Remote control&management for household appliances

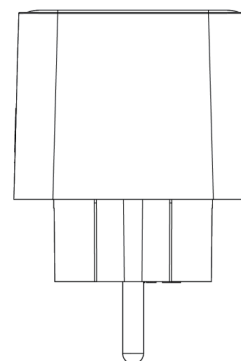
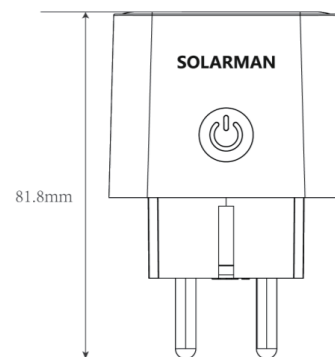
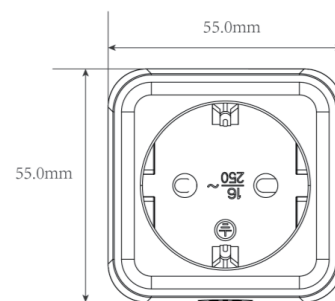
I Features

- High accuracy metering chip, realizing bidirectional measurement
- 3680W load-bearing capacity, 16A safe load
- Support WiFi/Bluetooth communication, easy for data cloud integration
- Remote and local control, realizing intelligent management for household appliances
- Connect energy storage devices, easy for linkage control
- Wide voltage (AC 110-250V) design, compatible with different voltage environment
- Embedded multiple security protection mechanisms, no worry for electricity usage
- Compliant with ETSI EN 303 645 standard, ensuring user privacy

I Parameters

Communication Parameters	
Remote Communication	2.4GHz WiFi
WiFi Standard	802.11b/g/n
WiFi Frequency	2.412GHz-2.472GHz (CH1~CH13)
WiFi Transmission Power	802.11b:+17dBm±1.5dBm(@11Mbps) 802.11g:+15dBm±1.5dBm(@54Mbps) 802.11n:+14dBm±1.5dBm(@HT20,MCS7)
Bluetooth Standard	BLE5.0
Bluetooth Frequency	2.402GHz-2.480GHz
Bluetooth Transmission Power	Max 15dBm

Hardware Parameters	
Standard	European standard
Dimension	55.0mm*55.0mm*81.8mm
Working Voltage	AC 110-250V 50Hz/60Hz
Load Power	16A Max. 3680W resistive load
Indicator Light	One ON/OFF indicator light
Measurement Parameter	Power (W) /Energy (kWh) /Voltage (V) /Current (A)
Metering Accuracy	3%
Memory	2MBYTE FLASH
Working Temperature	-20°C~+50°C
Working Humidity	10%-70% RH (No Condensation)
Storage Temperature	-45°C~+90°C
Storage Humidity	<40% RH (No Condensation)
Case Material	UL94V0
Anti Electric Shock	Anti Electric Shock Protection Door
Protection Mechanism	Load Protection



Unit: mm, dimensional: Accuracy±2%

Software Parameters

Data Transmission Interval	Default: 5 mins (when data remain unchanged)/ Data will be uploaded immediately once it changed.
Firmware Upgrade	APP/Remote server
User Configuration	APP
Remote Control	√

IGEN Tech Co., Ltd.

Add: Building H4, China IoT International Innovation Park, No. 6, Jingxian Road, Wuxi, Jiangsu, P. R. China

For Sales: info@solarmanpv.com For After-sales: customerservice@solarmanpv.com

WhatsApp: +86-153-1222-5591 Web: www.solarmanpv.com