

LSW-Mini

Stick Logger



LSW-Mini is a cost-effective IoT product specially designed for solar industry. It can connect to single inverter, battery or other devices via various interface and transmit the collected data to the remote/local monitoring platform via WiFi. Furthermore, it realizes the functions such as data collection and reporting, configuration deployment, firmware upgrade, real-time control and etc.

I Applicable Scenarios

Suitable for residential off/on-grid storage solar project in Southeast Asia, India, Pakistan, Brazil, Middle East and Africa

- Implement real-time monitoring and management of new energy device
- Realize device local & remote upgrade
- Analyze and optimize production data to achieve refined O&M
- Timely fault location and troubleshooting

I Features



Easy to use

Standard Bluetooth distribution network, ensuring higher successful rate

Upload data and fault information in seconds

Batch distribution network for multiple devices

Support local/remote debugging and diagnosis with or without network

OneQR debugging and acceptance



High Compatibility

Compatible to multiple inverter interfaces

Embedded twin model, enabling quick customization and adaptation



Reliable&Stable

IP66 water-resistant

Support breakpoint resuming



Excellent Performance

Upgrade to 6th generation WiFi technology

Support one-way direct transmission with data encrypted

Support IV curve fault diagnosis and recording



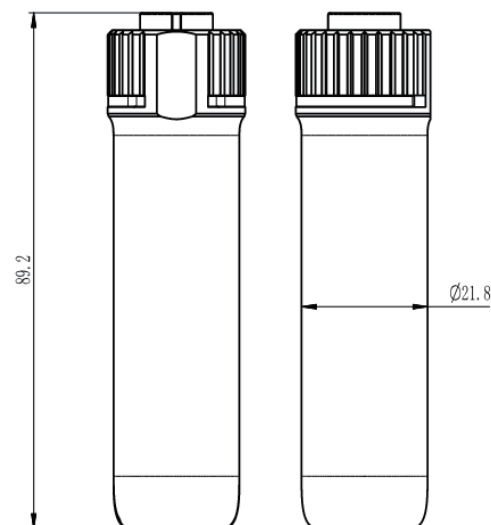
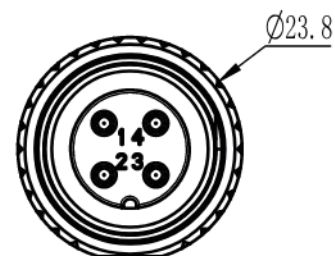
Compliant with EN 303 645

Compliant with ETSI EN 303 645 standard

I Product Parameter

Communication Parameter	
Remote Communication	WiFi 6
WiFi Standard	802.11b/g/n/ax
WiFi Frequency Range	2.412GHz-2.472GHz (CH1~CH13)
WiFi Transmitting Power	802.11b:+17dBm±1.5dBm(@11Mbps) 802.11g:+15dBm±1.5dBm(@54Mbps) 802.11n:+14dBm±1.5dBm(@HT20,MCS7)
Bluetooth Standard	BLE5.0
Bluetooth Frequency Range	2.402GHz-2.480GHz
Bluetooth Transmitting Power	Max 7dBm

Hardware Parameter	
External Interface	USB2.0, USB3.0, Aeronautical head (Big/Small)
Data Interface	USB, RS485, RS232, TTL
Data Storage	8MB
Antenna	Embedded antenna
Working Voltage	DC 5-12V (±5%)
Working Power	2W
Indicator Light	One way
Working Temperature	-30°C~+70°C
Working Humidity	10%-90%, no condensation
Storage Temperature	-45°C~+90°C
Storage Humidity	<40%, no condensation



Unit: mm, Accuracy: ±2%

Software Parameter	
No. of Connections	One
Serial Communication Rate	Default: 9600bps(1200-115200bps optional)
Data Transmission Interval	Default: 5 mins
User Configuration	Remote server/APP configuration
Firmware Upgrade	Local/Remote upgrade
Real-time Control	✓
Breakpoint Resuming	✓

IGEN Tech Co., Ltd.

Add: Building H4, China IoT International Innovation Park, No. 6, Jingxian Load, Wuxi, Jiangsu, P. R. China

For Sales: info@solarmanpv.com For After-sales: customerservice@solarmanpv.com

Tel: +86-400-181-0512 Web: www.solarmanpv.com

